

DOGHOUSE SURVEY

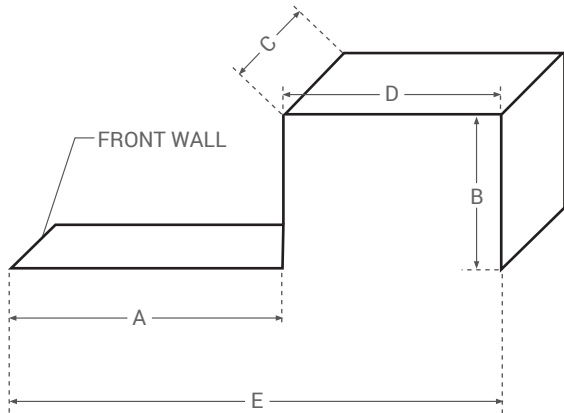
JOB NAME: _____

SURVEYOR NAME: _____

SURVEYOR PHONE NUMBER: _____

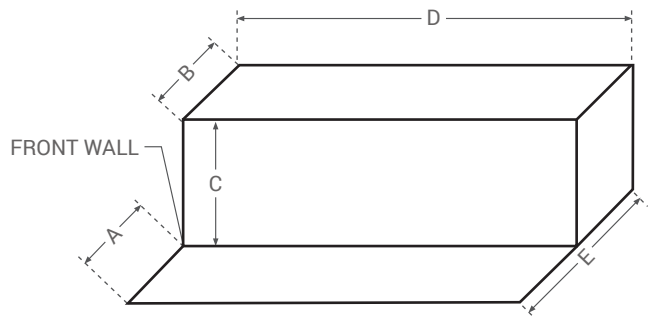
QUANTITY: _____

Version 1: (enter all dimensions in inches, not feet)



A: _____"
 B: _____"
 C: _____"
 D: _____"
 E: _____"

Version 2: (enter all dimensions in inches, not feet)



A: _____"
 B: _____"
 C: _____"
 D: _____"
 E: _____"