

CLADDING FIELD SURVEY

CAB - TWO SPEED SIDE OPENING - RIGHT HAND RETURN



info@fabacab.com
800.800.4960

1600 Main Street
Anderson, IN 46016

JOB NAME: _____

SURVEYOR NAME: _____

SURVEYOR PHONE NUMBER: _____

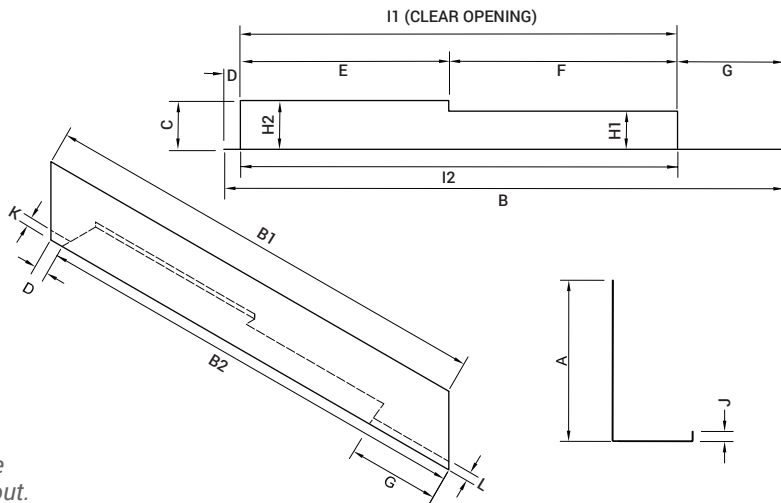
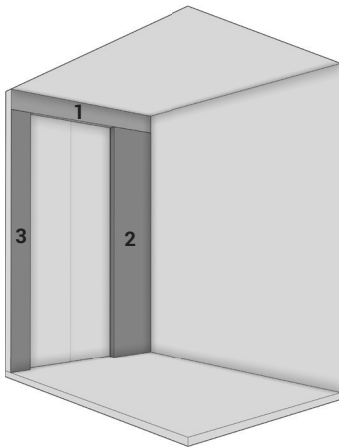
CAPACITY: _____ lbs.

ELEVATOR NUMBER: _____

Survey Tips:

- 1) Send pictures.
- 2) No "rolling tape" measurements.
 - a. Make mark and measure to it.
- 3) Look for tapers in walls/jamb/strikes/returns.
- 4) Send C.O.P. dimensions.
- 5) Measure strike/return heights from threshold or smallest measurement, including cab floor.

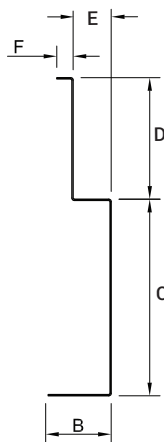
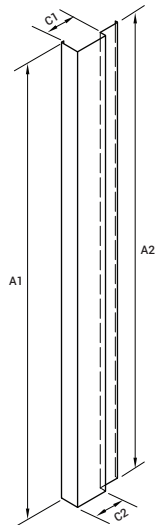
1. Transom: (Complete section entirely and enter all dimensions in inches, not feet)



- A: _____"
- B1: _____"
- B2: _____"
- C: _____"
- D: _____"
- E: _____"
- F: _____"
- G: _____"
- H1: _____"
- H2: _____"
- I1: _____"
- I2: _____"
- J: _____"
- K: _____"
- L: _____"

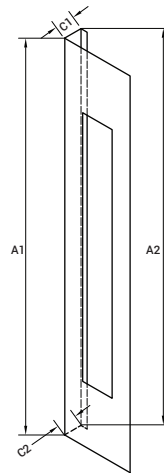
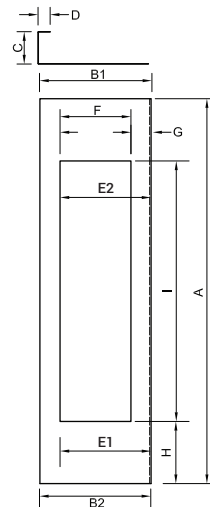
*As an industry standard, surveys are conducted from within the car looking out.

2. Strike: (Enter all dimensions in inches, not feet)



- A1: _____"
- A2: _____"
- B: _____"
- C1: _____"
- C2: _____"
- D: _____"
- E: _____"
- F: _____"

3. Return: (Enter all dimensions in inches, not feet)



- A1: _____"
- A2: _____"
- B1: _____"
- B2: _____"
- C1: _____"
- C2: _____"
- D: _____"
- E1: _____"
- E2: _____"
- F: _____"
- G: _____"
- H: _____"
- I: _____"

FABRICATION APPROVAL SIGNATURE: _____

(A signature serves as the final approval of the above dimensions)