

CLADDING FIELD SURVEY

CAB - ONE SPEED CENTER OPENING - LEFT OR RIGHT HAND RETURN



info@fabacab.com
800.800.4960

1600 Main Street
Anderson, IN 46016

JOB NAME: _____

SURVEYOR NAME: _____

SURVEYOR PHONE NUMBER: _____

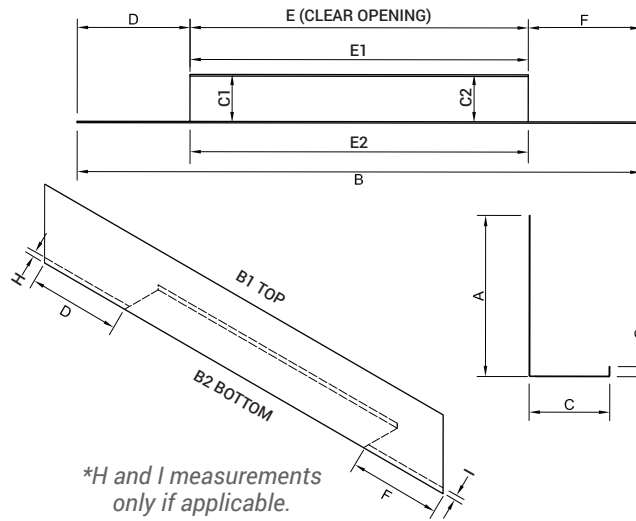
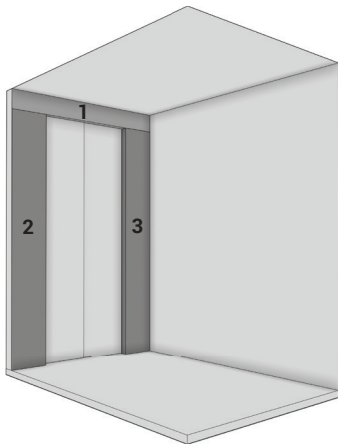
CAPACITY: _____ lbs.

ELEVATOR NUMBER: _____

Survey Tips:

- 1) Send pictures.
- 2) No "rolling tape" measurements.
 - a. Make mark and measure to it.
- 3) Look for tapers in walls/jamb/strikes/returns.
- 4) Send C.O.P. dimensions.
- 5) Measure strike/return heights from threshold or smallest measurement, including cab floor.

1. Transom: (Complete section entirely and enter all dimensions in inches, not feet)

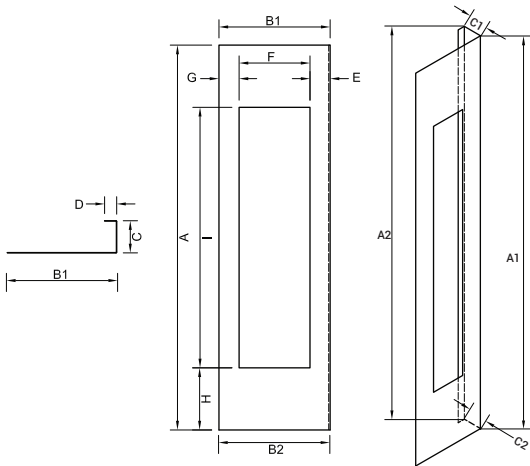


- A: _____"
- B1: _____"
- B2: _____"
- C1: _____"
- C2: _____"
- D: _____"
- E1: _____"
- E2: _____"
- F: _____"
- G: _____"
- *H: _____"
- *I: _____"

*As an industry standard, surveys are conducted from within the car looking out.

*H and I measurements only if applicable.

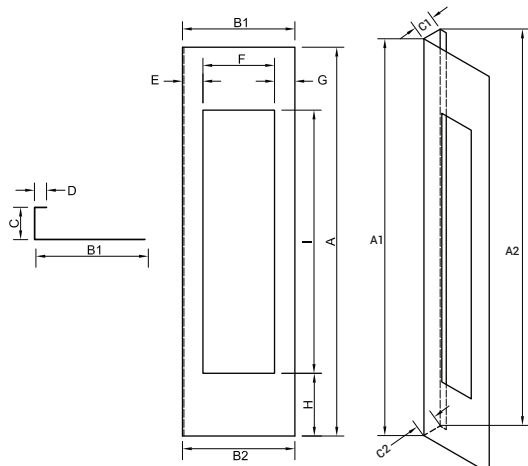
2. Left Return: (Enter all dimensions in inches, not feet)



- A1: _____"
- A2: _____"
- B1: _____"
- B2: _____"
- C1: _____"
- C2: _____"
- D: _____"
- *E: _____"
- *F: _____"
- *G: _____"
- *H: _____"
- *I: _____"

* = OPTIONAL: Return Panel C.O.P. cut out dimensions depending on existing C.O.P. panel location.

3. Right Return: (Enter all dimensions in inches, not feet)



- A1: _____"
- A2: _____"
- B1: _____"
- B2: _____"
- C1: _____"
- C2: _____"
- D: _____"
- *E: _____"
- *F: _____"
- *G: _____"
- *H: _____"
- *I: _____"

* = OPTIONAL: Return Panel C.O.P. cut out dimensions depending on existing C.O.P. panel location.

FABRICATION APPROVAL SIGNATURE: _____

(A signature serves as the final approval of the above dimensions)