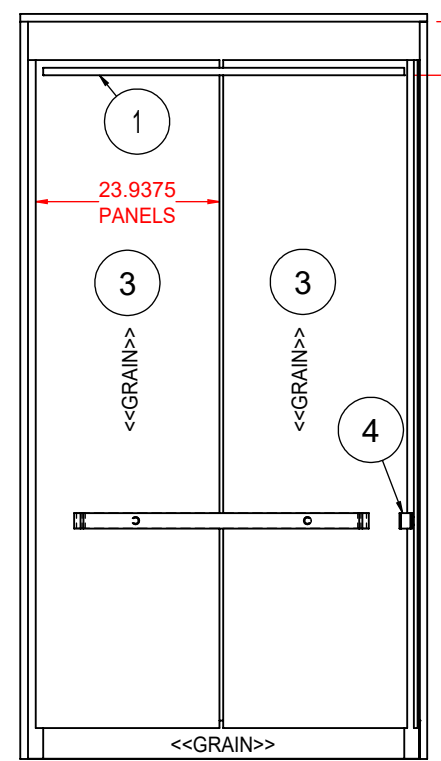


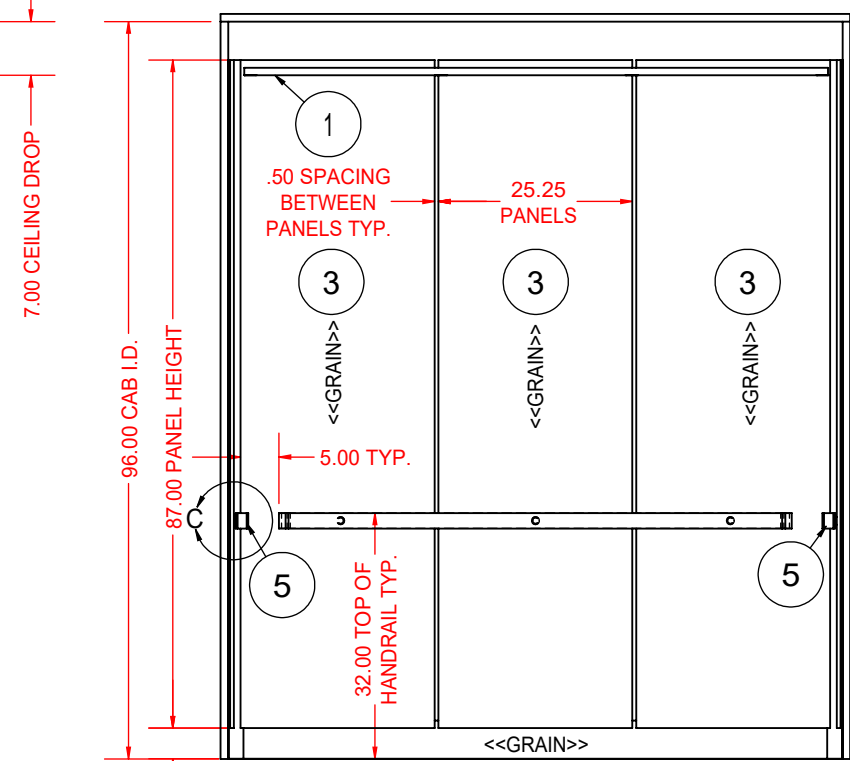
REFLECTED CEILING VIEW
A VIEW OF THE CAB AS IF LOOKING FROM ABOVE, THROUGH THE CEILING

PLAN VIEW

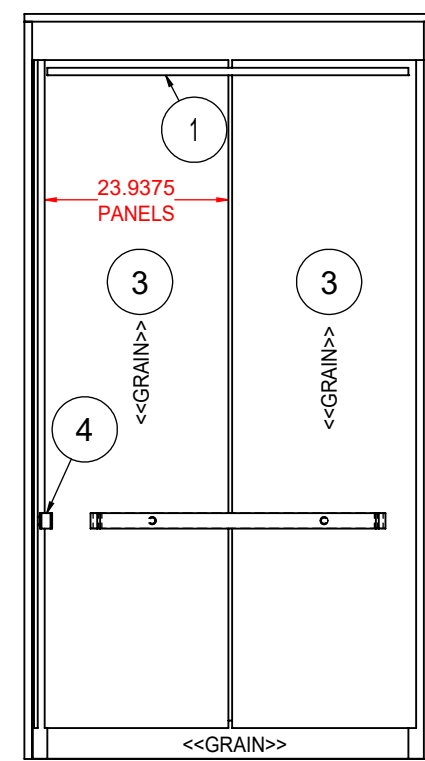
PARTS LIST & FINISH SELECTION				
ITEM	DESCRIPTION	MATERIAL	QTY	WEIGHT / lbs
1	CEILING	ANEGADA: BRUSHED ALUMINUM T-FRAME (1.50"X1.50"X.125") CEILING COATED IN CLEAR LACQUER WITH (6) 14 GAUGE STAINLESS STEEL #4 FINISH DROP IN PANELS	1	85.679
2	LIGHTING	SOLOBEAM-6: LED DOWN LIGHTING SYSTEM BY MAN-D-TEC. DIE-CAST SMOOTH BLACK FINISH FIXTURES	1 (SET)	8.6642
3	INTERIOR PANELS	VERTICAL PANEL SYSTEM CONSISTING OF (7) 1/2" FRPB WALL PANELS FACED WITH WILSONART BRAZILWOOD 7946-38 LAMINATE. ALL PANELS ARE BANDED IN BLACK PVC EDGE BANDING.	7	248.675
4	BACK HANDRAIL	0.375" X 2.00" FLAT S/S, #4 FINISH WITH RETURNED ENDS. PATENTED, FLAT FACE STANDOFFS	1	14.1844
5	SIDE HANDRAILS	0.375" X 2.00" FLAT S/S, #4 FINISH WITH RETURNED ENDS. PATENTED, FLAT FACE STANDOFFS	2	16.3094
6	RECESSED BASE & REVEALS	20 GAUGE STAINLESS STEEL #4 FINISH	1 (SET)	29.5995



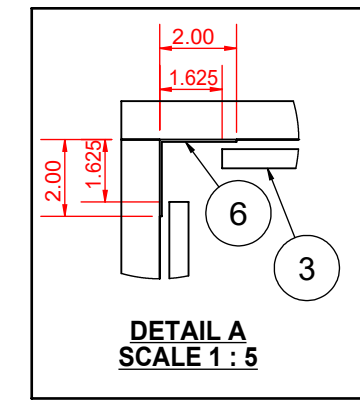
WALL ELEVATION A



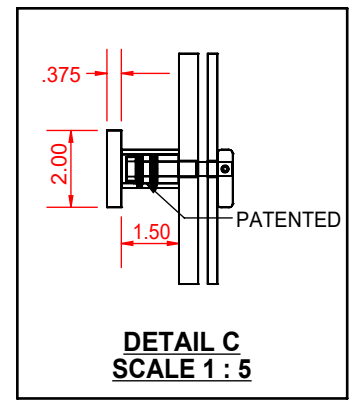
WALL ELEVATION B



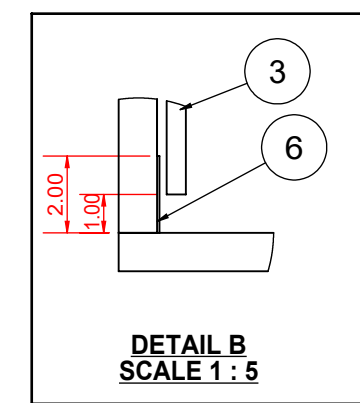
WALL ELEVATION C



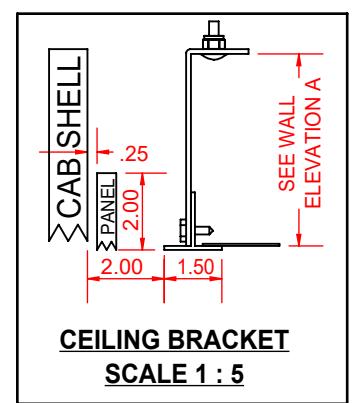
DETAIL A SCALE 1:5



DETAIL C SCALE 1:5



DETAIL B SCALE 1:5



CEILING BRACKET SCALE 1:5



8896 West State Rd. 236 Middletown, IN 47356
T: 800.800.4960

F.A.C. JOB NUMBER: XXXXX	CAPACITY: 2500 lbs	JOB NAME: JOB NAME HERE
CAB I.D.: CAB XX		CONTACT: YOUR NAME HERE!
WALL PANELS: NASSAU		CEILING TYPE: ANEGADA T-FRAME
SALES REP: SALES REP NAME HERE	DATE: XX/XX/20XX	DRAWING SCALE: 1 : 25
REVISIONS:	FABRICATION APPROVAL SIGNATURE:	

SPECIFIC PRODUCT NOTES		UNIT CONVERSION	
ALL DIMENSIONS ARE GIVEN IN INCHES		1/2 = 0.5000	
(ALL DIMENSIONS ±1/32")		1/8 = 0.1250	9/16 = 0.5625
QTY: 1 CAB		3/16 = 0.1875	5/8 = 0.6250
		1/4 = 0.2500	11/16 = 0.6875
		5/16 = 0.3125	3/4 = 0.7500
		3/8 = 0.3750	13/16 = 0.8125
		7/16 = 0.4375	7/8 = 0.8750
			15/16 = 0.9375

PARTS LIST & FINISH SELECTION				
ITEM	DESCRIPTION	MATERIAL	QTY	WEIGHT / lbs
1	CEILING	ANEGADA: BRUSHED ALUMINUM T-FRAME (1.50"X1.50"X.125") CEILING COATED IN CLEAR LACQUER WITH (6) 14 GAUGE STAINLESS STEEL #4 FINISH DROP IN PANELS	1	85.679
2	LIGHTING	SOLOBEAM-6: LED DOWN LIGHTING SYSTEM BY MAN-D-TEC. DIE-CAST SMOOTH BLACK FINISH FIXTURES	1 (SET)	8.6642
3	INTERIOR PANELS	VERTICAL PANEL SYSTEM CONSISTING OF (7) 1/2" FRPB WALL PANELS FACED WITH WILSONART BRAZILWOOD 7946-38 LAMINATE. ALL PANELS ARE BANDED IN BLACK PVC EDGE BANDING.	7	248.675
4	BACK HANDRAIL	0.375" X 2.00" FLAT S/S, #4 FINISH WITH RETURNED ENDS. PATENTED, FLAT FACE STANDOFFS	1	14.1844
5	SIDE HANDRAILS	0.375" X 2.00" FLAT S/S, #4 FINISH WITH RETURNED ENDS. PATENTED, FLAT FACE STANDOFFS	2	16.3094
6	RECESSED BASE & REVEALS	20 GAUGE STAINLESS STEEL #4 FINISH	1 (SET)	29.5995



IMAGE FOR ILLUSTRATION
PURPOSES ONLY,
COLOR SHADES AND
PROPORTIONS MAY VARY



8896 West State Rd. 236
Middletown, IN 47356
T: 800.800.4960

F.A.C. JOB NUMBER: XXXXX	CAPACITY: 2500 lbs	JOB NAME: JOB NAME HERE
CAB I.D.: CAB XX		CONTACT: YOUR NAME HERE!
WALL PANELS: NASSAU		CEILING TYPE: ANEGADA T-FRAME
SALES REP: SALES REP NAME HERE		DATE: XX/XX/20XX
		DRAWING SCALE: 1 : 25
REVISIONS:	FABRICATION APPROVAL SIGNATURE:	

SPECIFIC PRODUCT NOTES		UNIT CONVERSION	
ALL DIMENSIONS ARE GIVEN IN INCHES		1/2 = 0.5000	
(ALL DIMENSIONS ±1/32")		1/8 = 0.1250	9/16 = 0.5625
QTY: 1 CAB		3/16 = 0.1875	5/8 = 0.6250
		1/4 = 0.2500	11/16 = 0.6875
		5/16 = 0.3125	3/4 = 0.7500
		3/8 = 0.3750	13/16 = 0.8125
		7/16 = 0.4375	7/8 = 0.8750
			15/16 = 0.9375